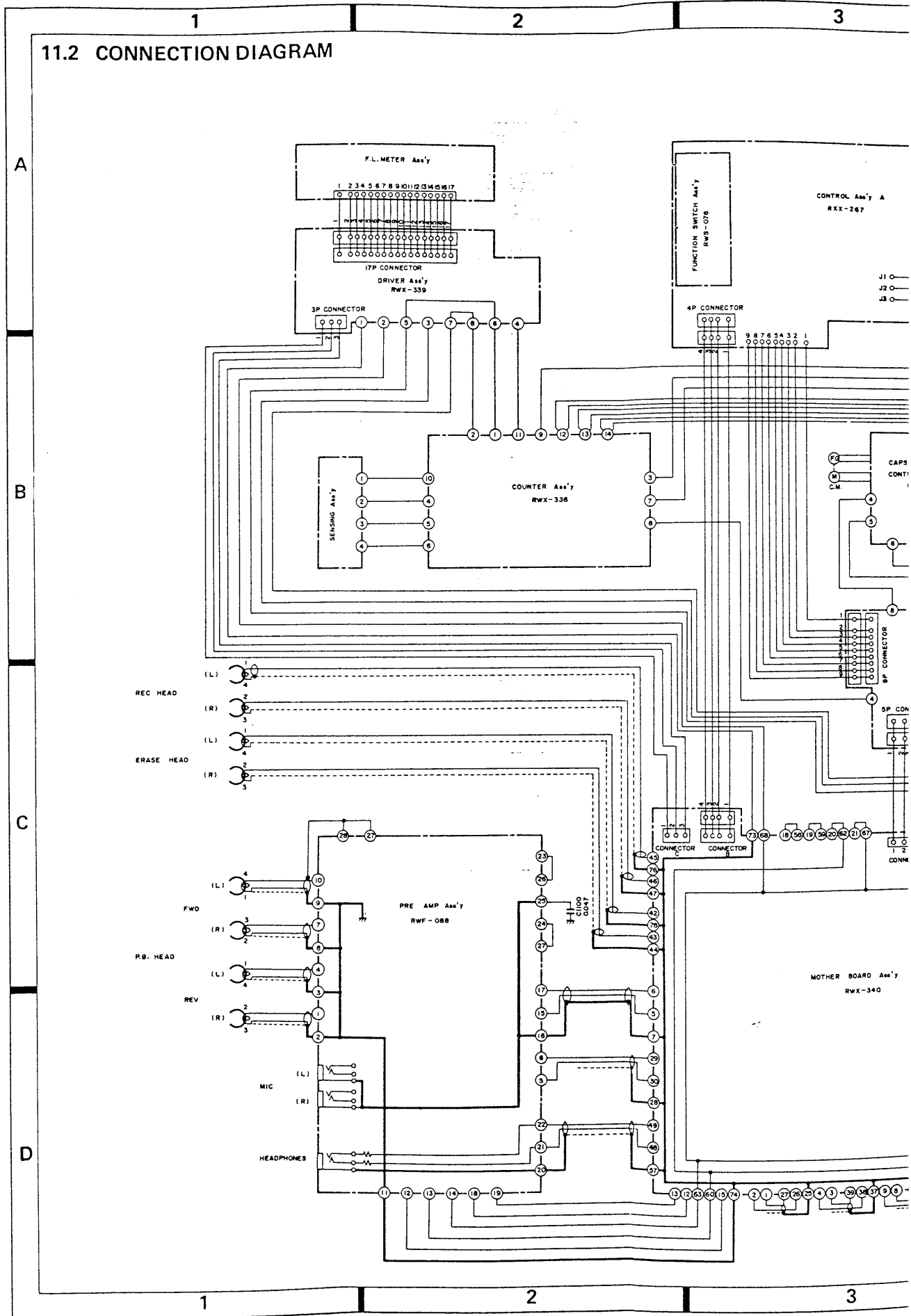
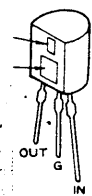
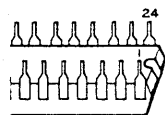
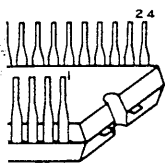
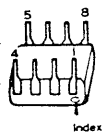
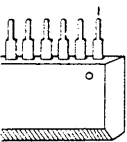
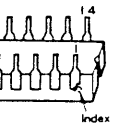
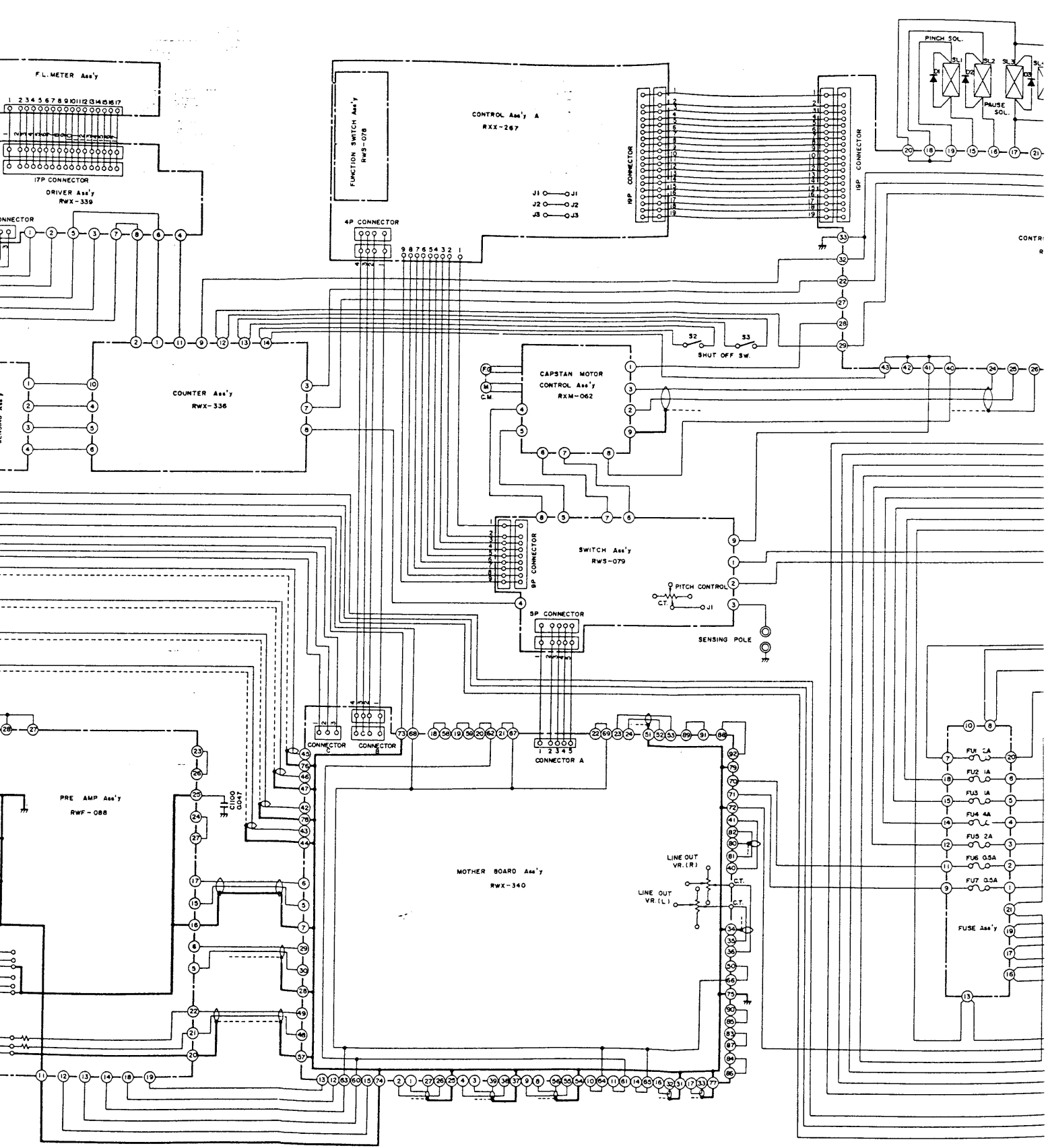
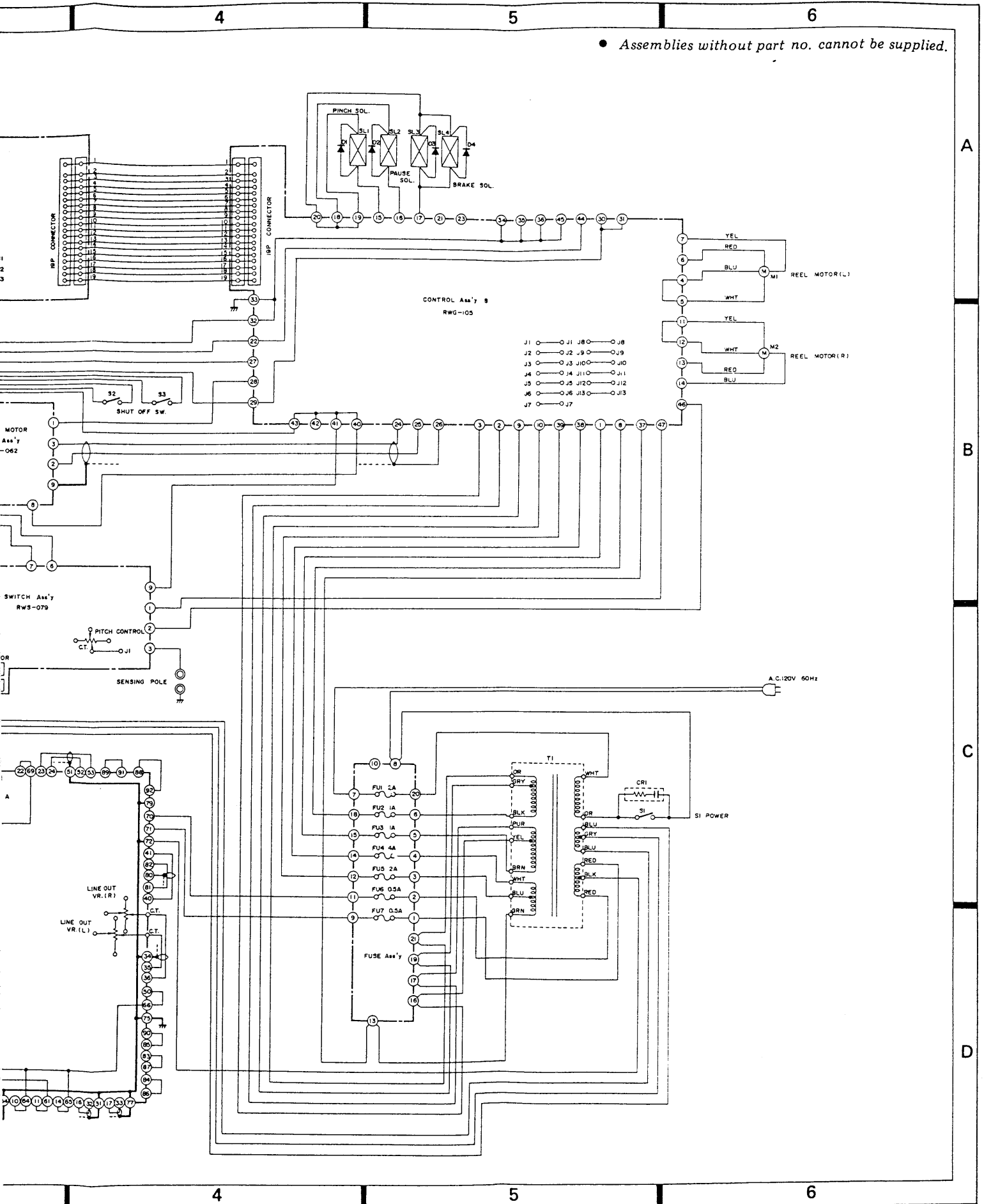


# 11.2 CONNECTION DIAGRAM





• Assemblies without part no. cannot be supplied.



A

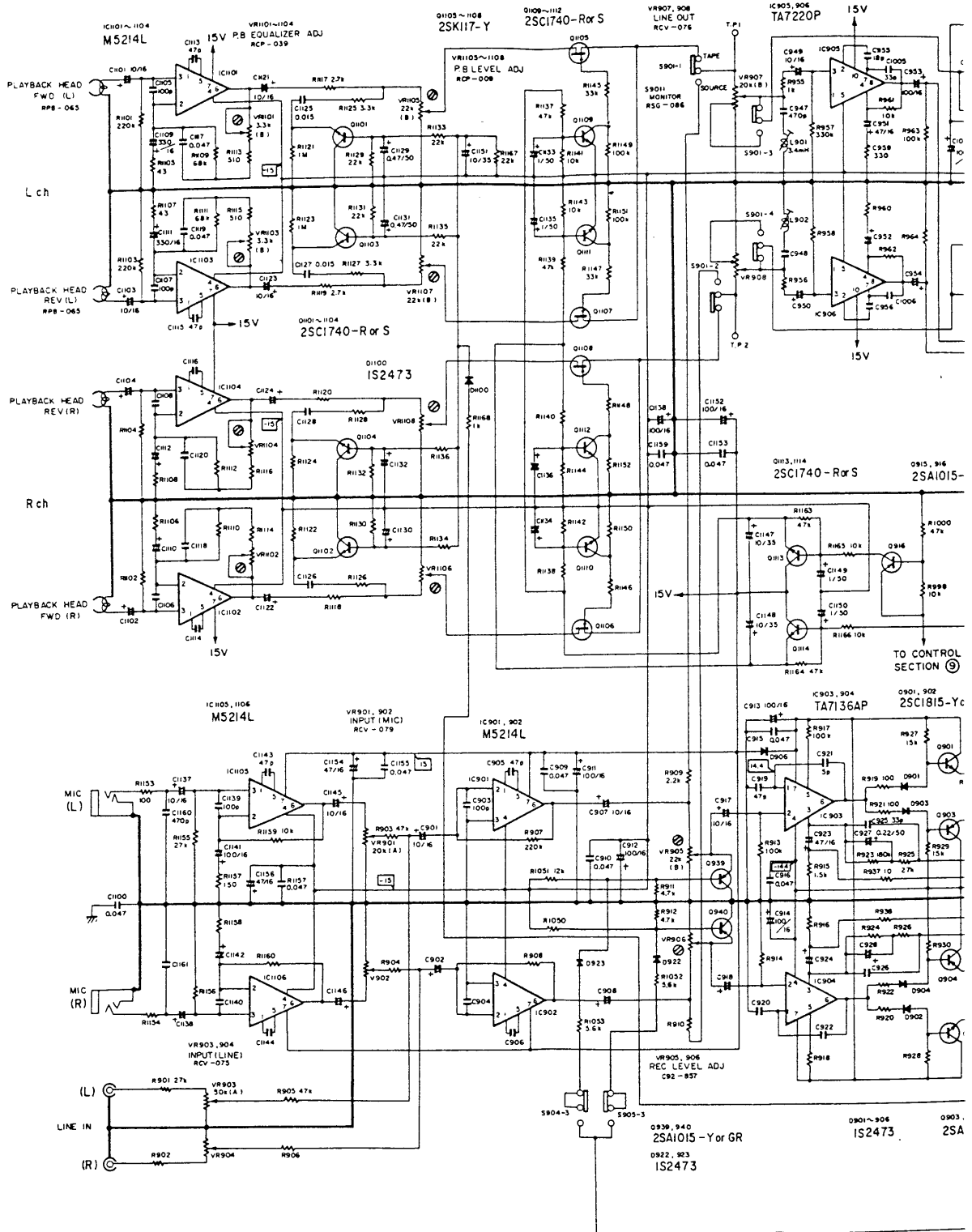
B

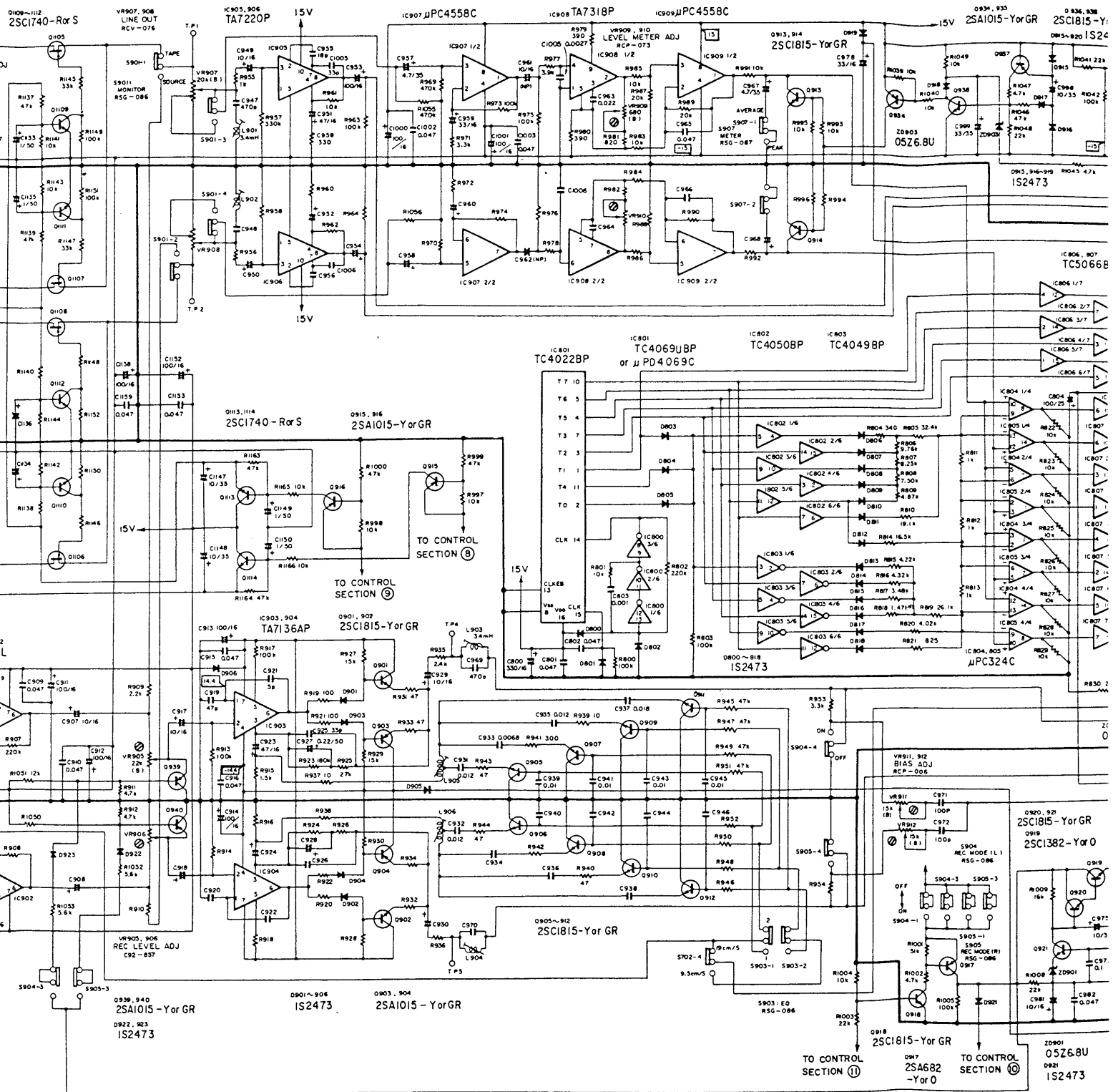
C

D

# 1.3 SCHEMATIC DIAGRAMS

## Signal Section





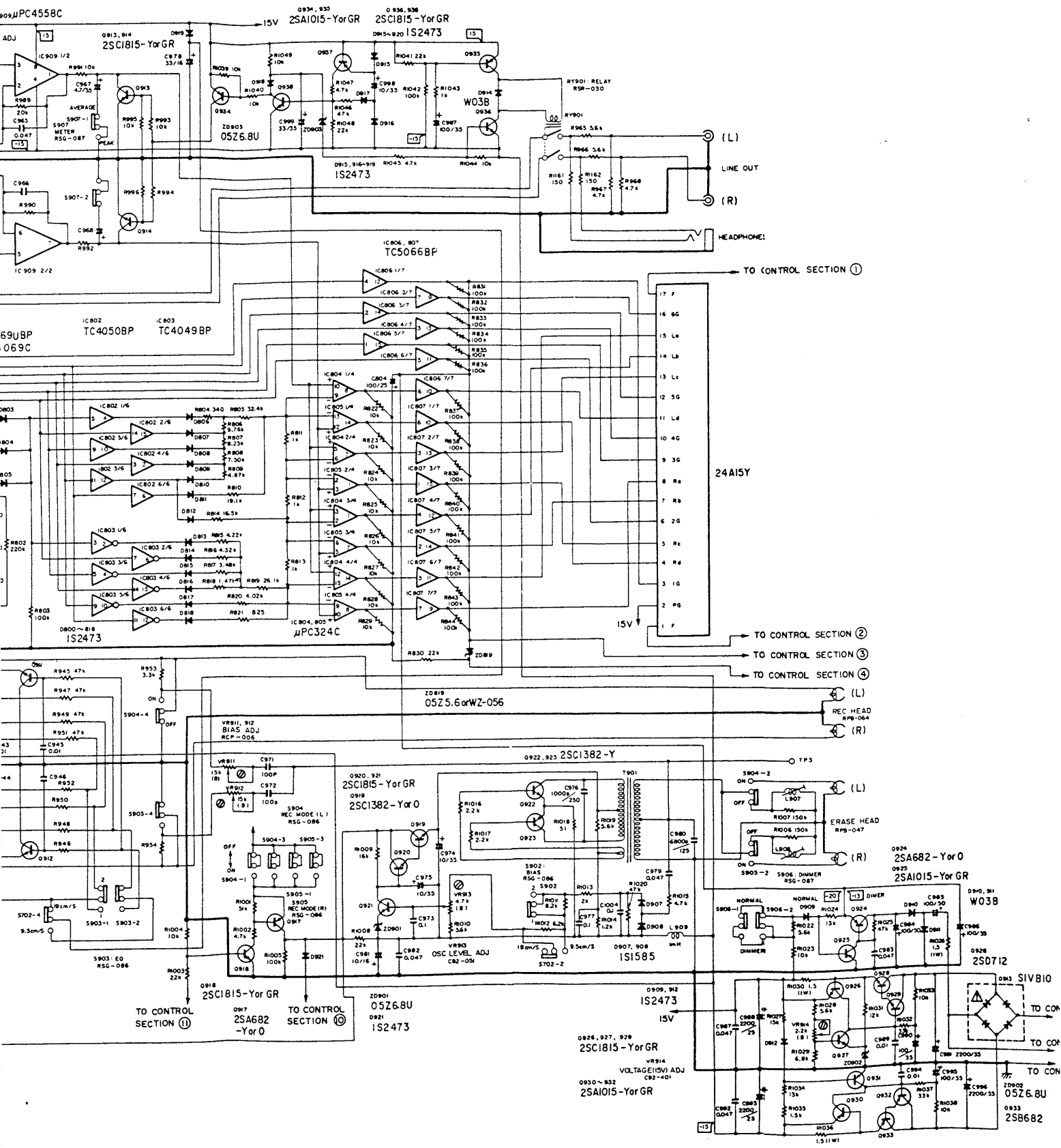
RT-909

5

6

7

8



5

6

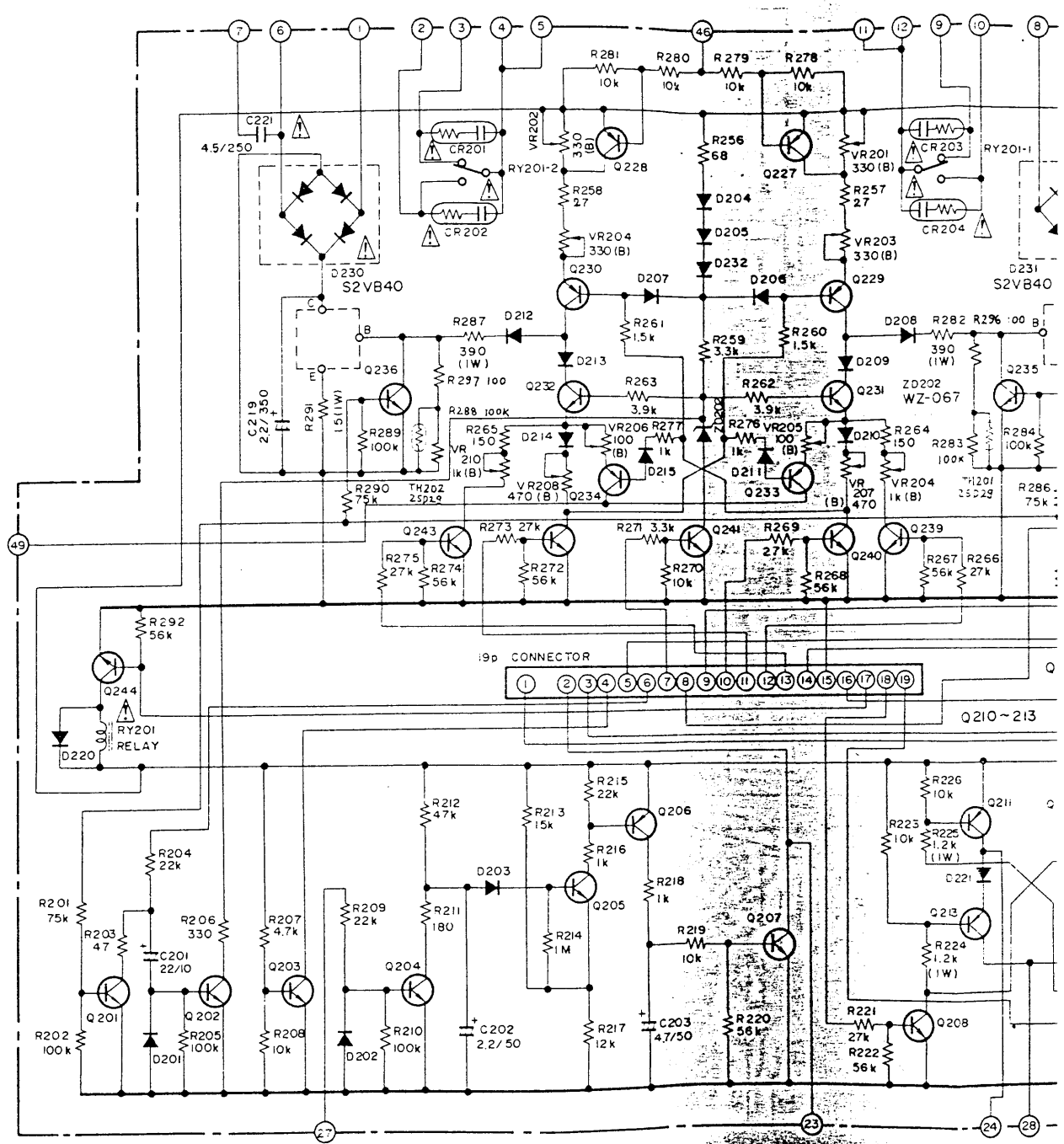
7

8



11.5 CONTROL B ASSEMBLY (RWG-105)

A  
B  
C  
D

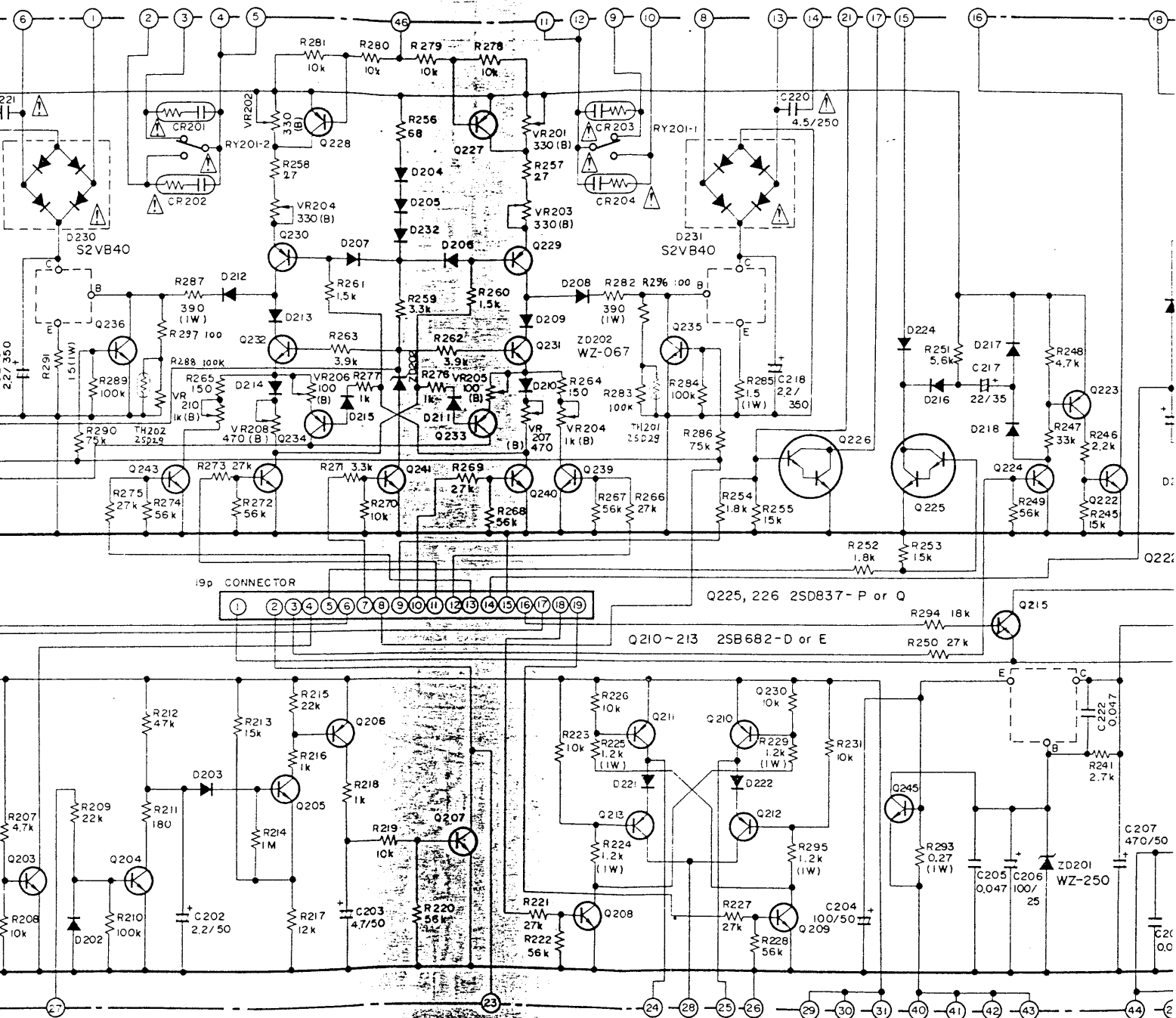


Q201~ 205, 207~ 209, 216~ 218, 224, 231, 232, 235, 236, 239~ 244 : 2SC1740-R or S or 2SC2320L-F or G  
 Q245 : 2SC1382-D or Y  
 Q206, 215, 220, 223, 227~ 230, 233, 234 : 2SA1015-Y or GR or 2SA999L-E or F



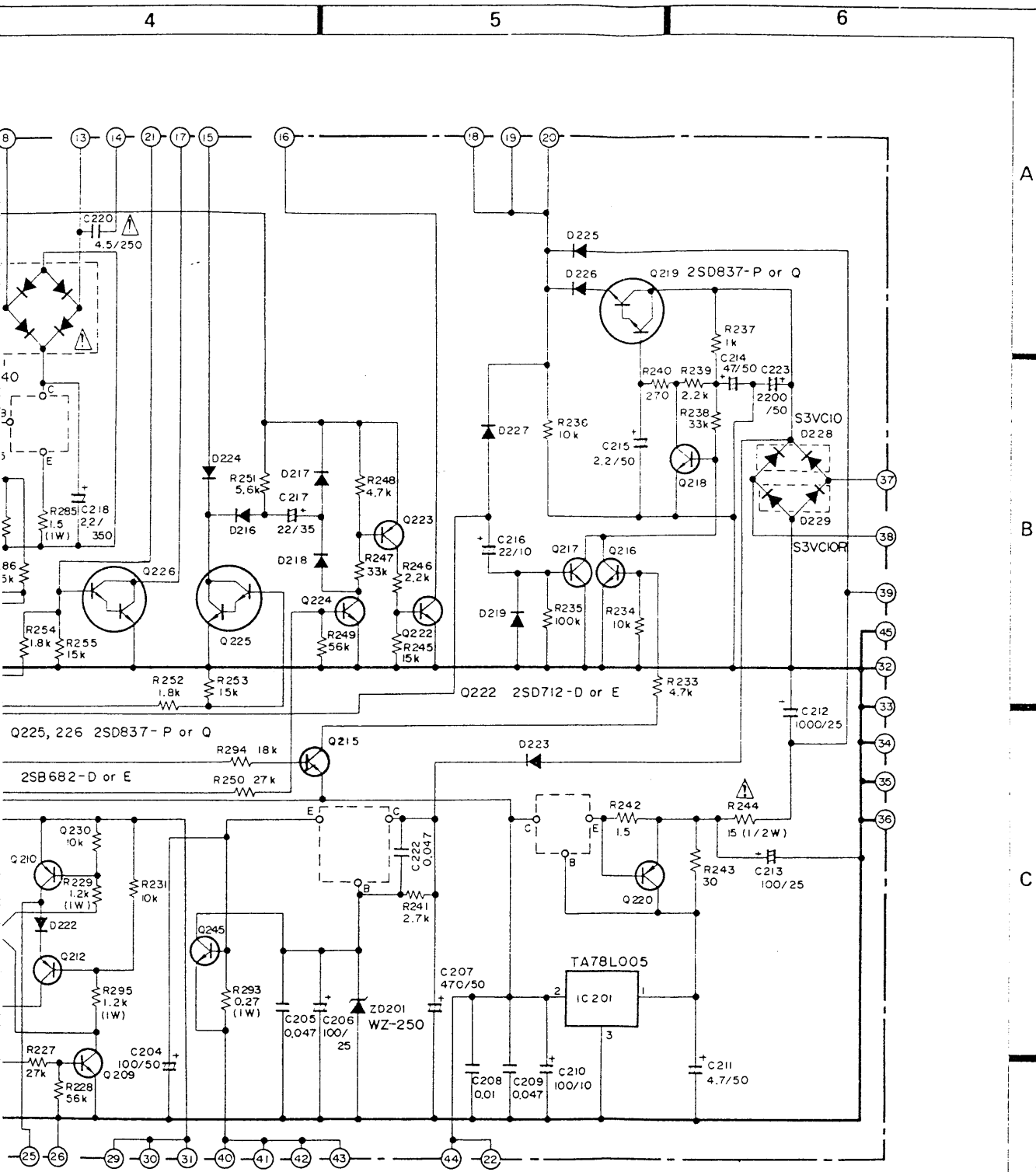
RT-909

RWG-105)



~ 218, 224, 231, 232, 235, 236, 239 ~ 244 : 25C1740-R or S or 25C2320L-F or G  
 ~ 230, 233, 234 : 2SA1015-Y or GR or 2SA999L-E or F

D201~215, 217~219, 227, 232 : 1S2473  
 D216, 220 : 1S1585  
 D221~223 : W03C or W03B  
 D224~226 : S2V20



- D201~215, 217~219, 227, 232 : 1S2473
- D216, 220 : 1S1585
- D221~223 : W03C or W03B
- D224~226 : S2V20

RT-909

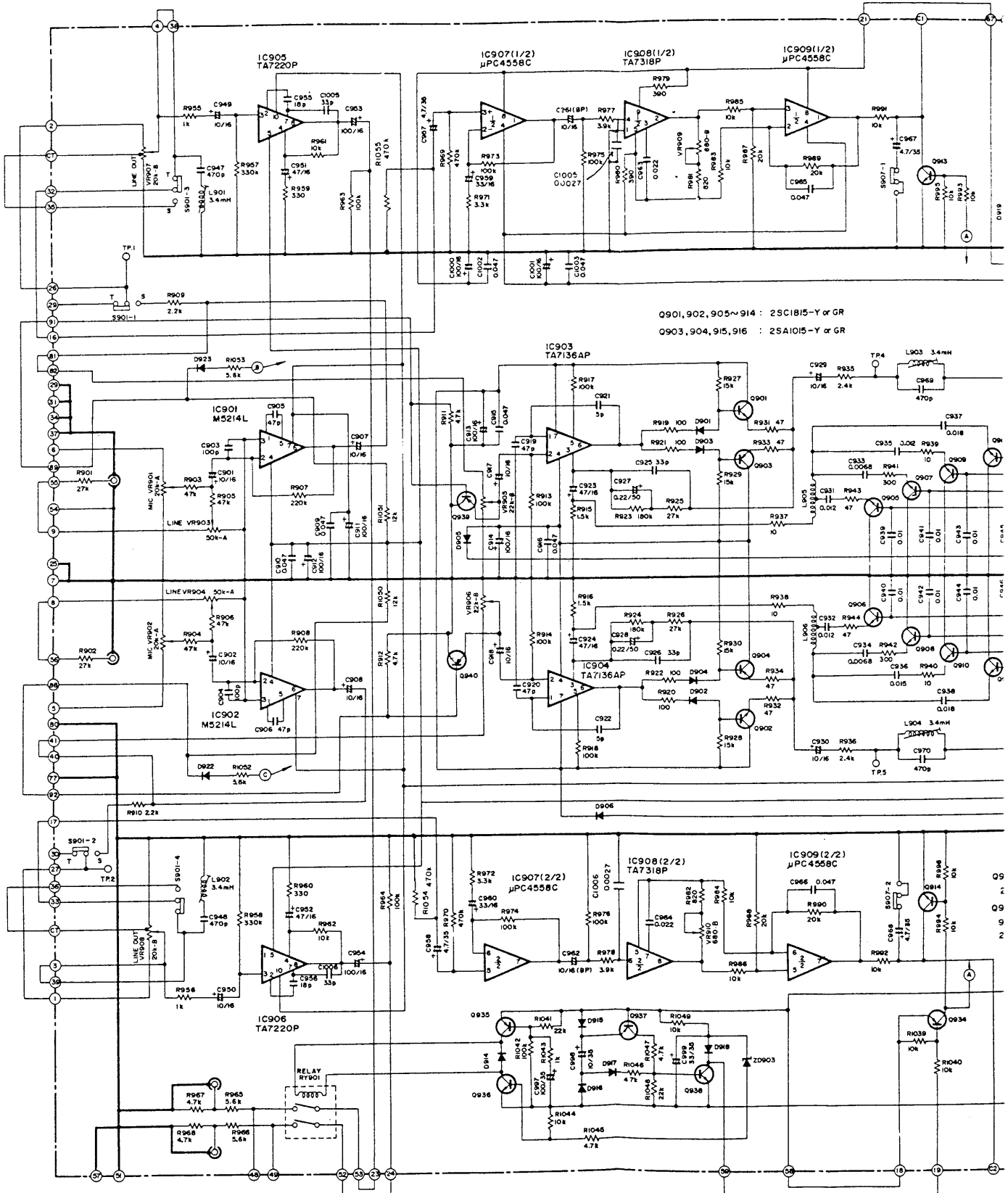
1

2

3

D901~906, 909, 912, 915~923 : 1S2473

D910, 911, 914 : W038



1

2

3

# RT-909

2

3

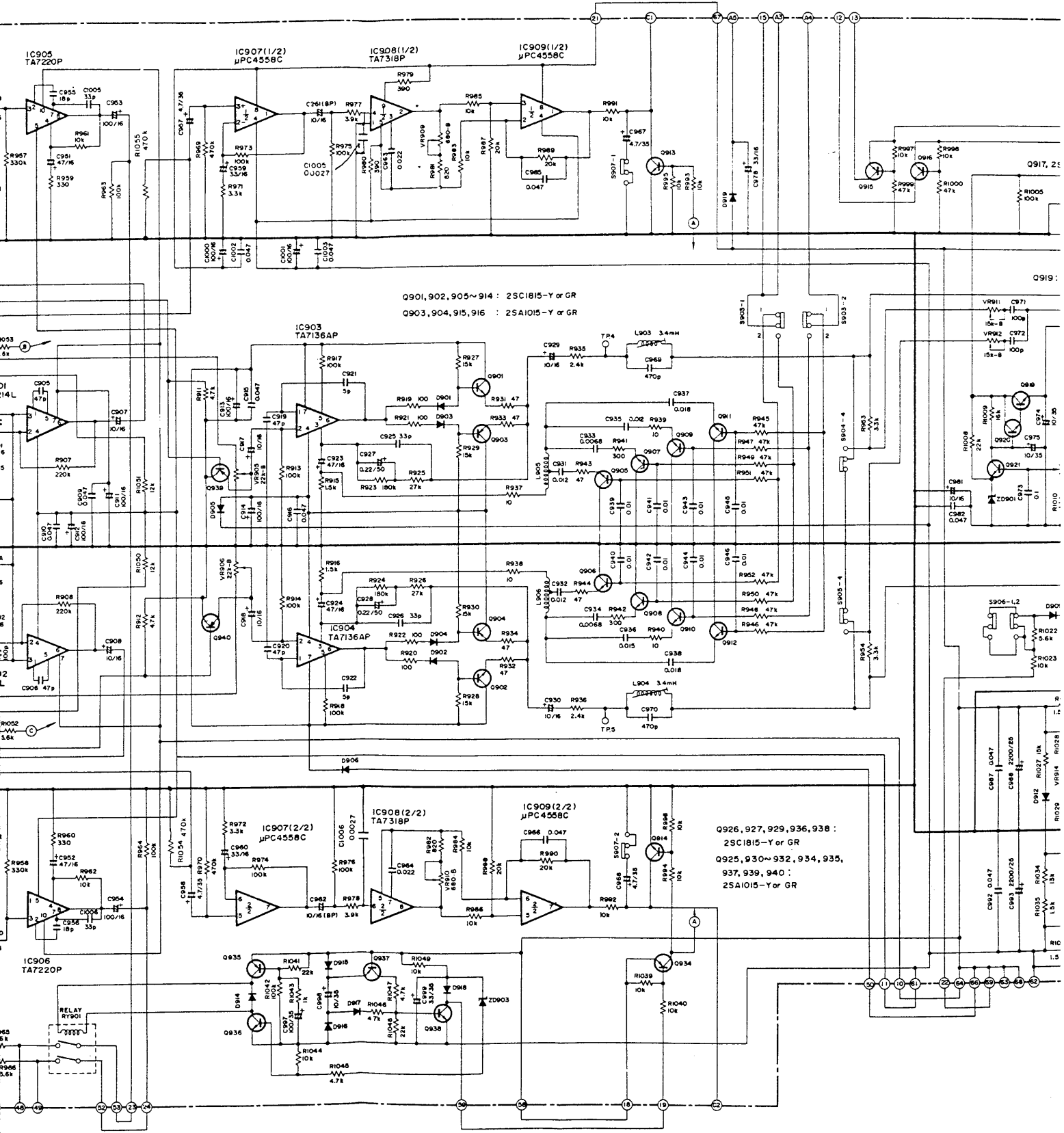
4

5

Q910, 906, 909, 912, 915~923 : 1S2473

Q910, 911, 914 : W038

Q918, 920, 921 : 2SC1815-Y or GR



2

3

4

5

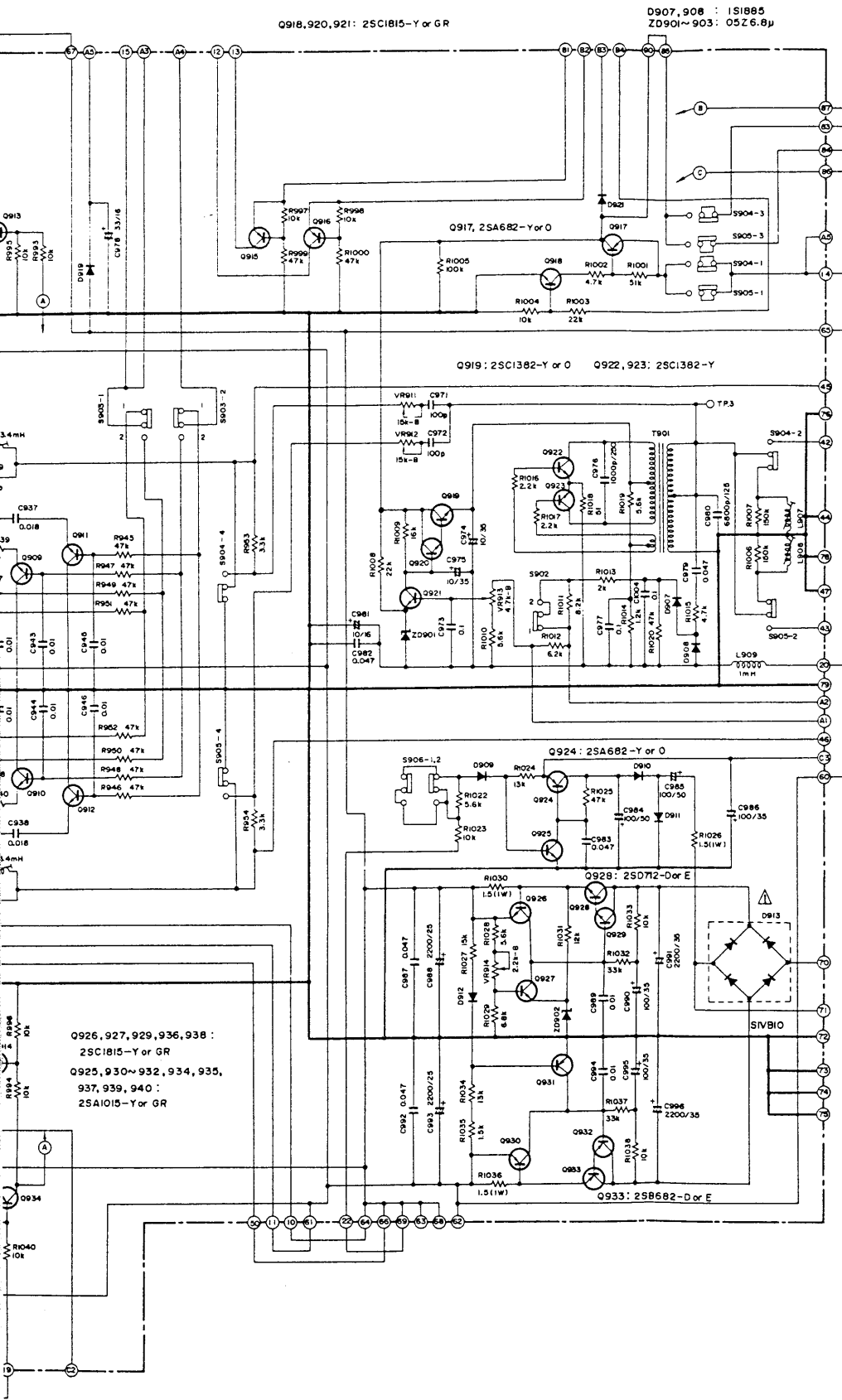
Q926, 927, 929, 936, 938 :  
2SC1815-Y or GR  
Q925, 930~932, 934, 935,  
937, 939, 940 :  
2SA1015-Y or GR

A

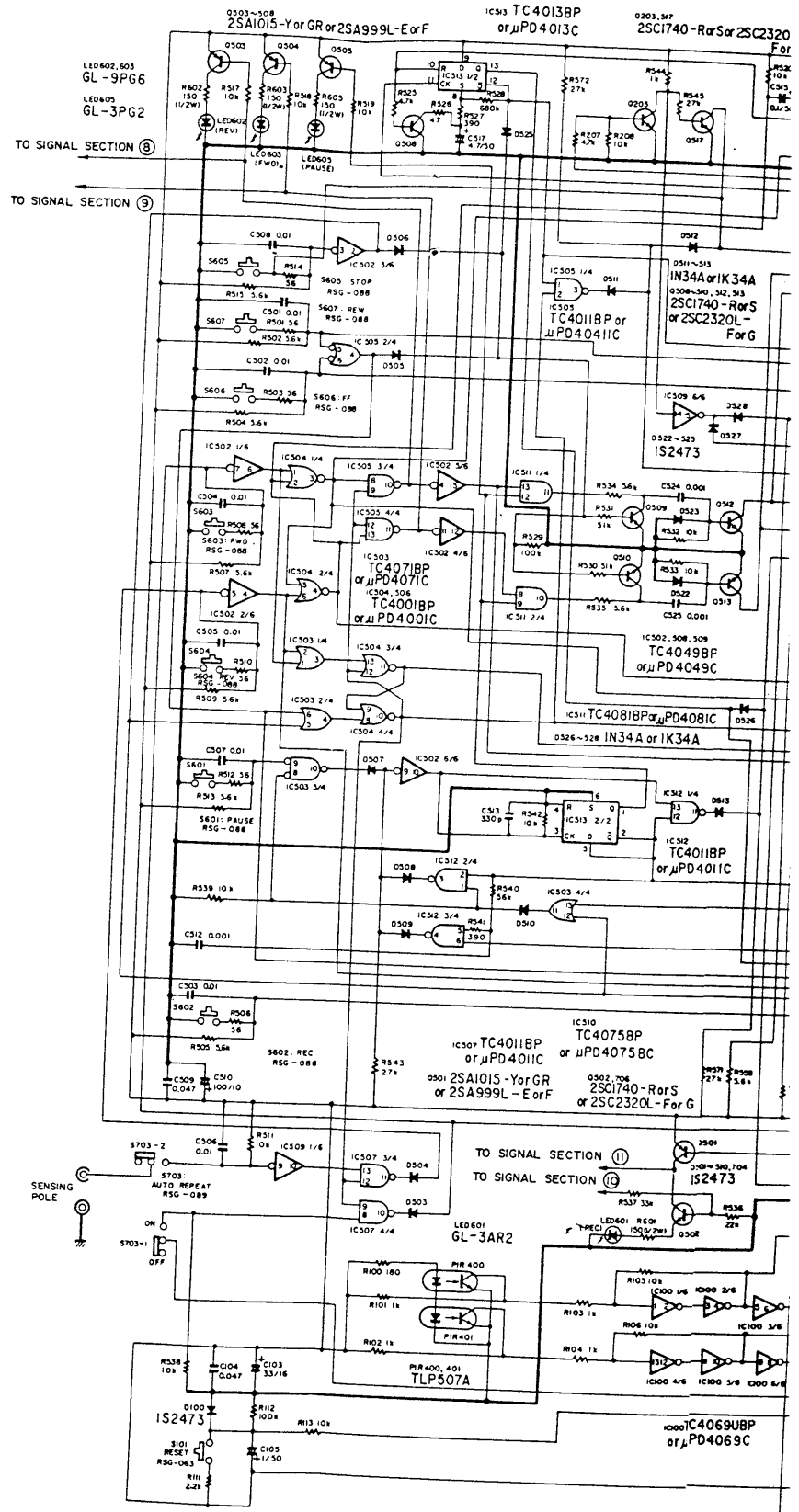
B

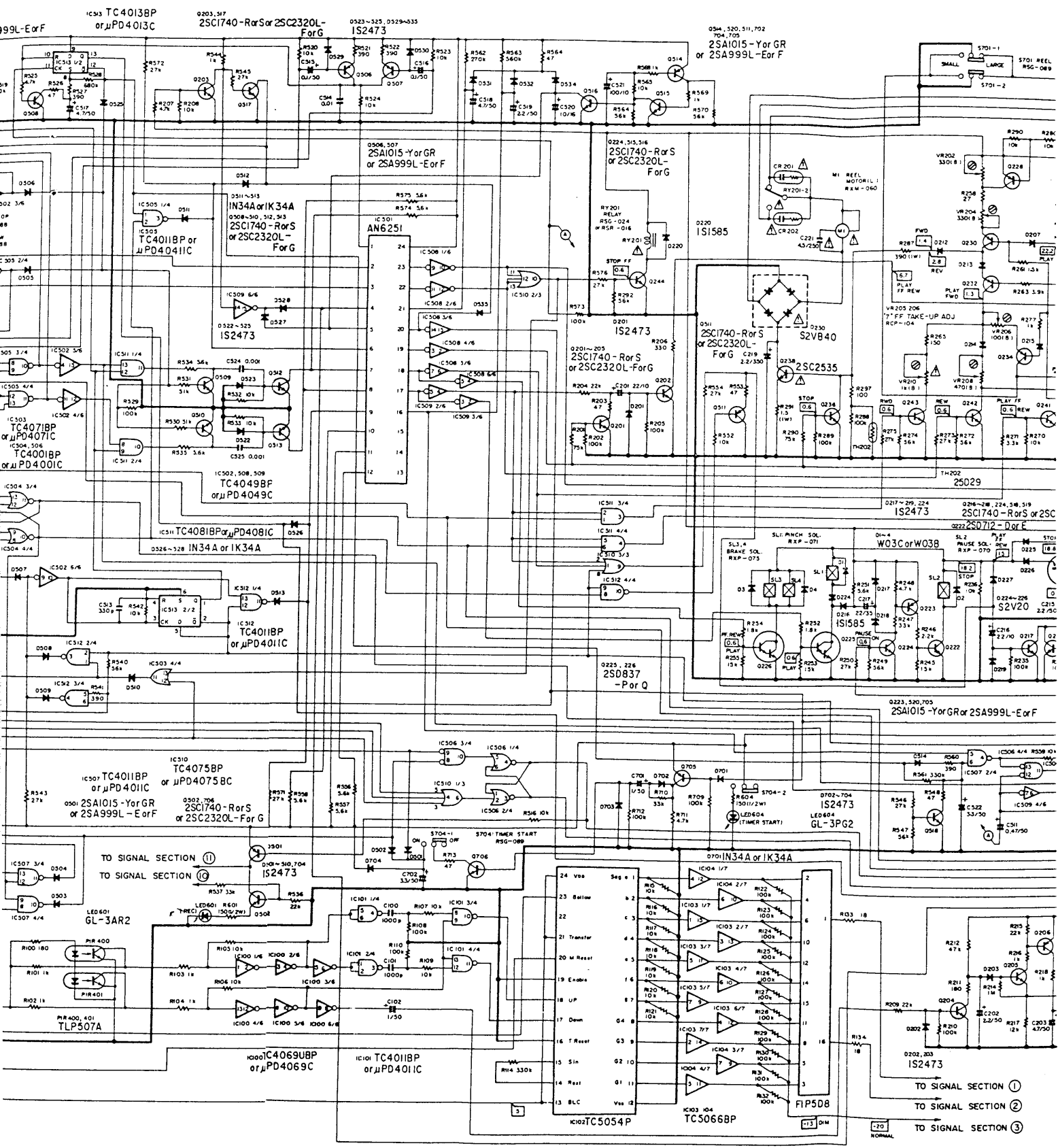
C

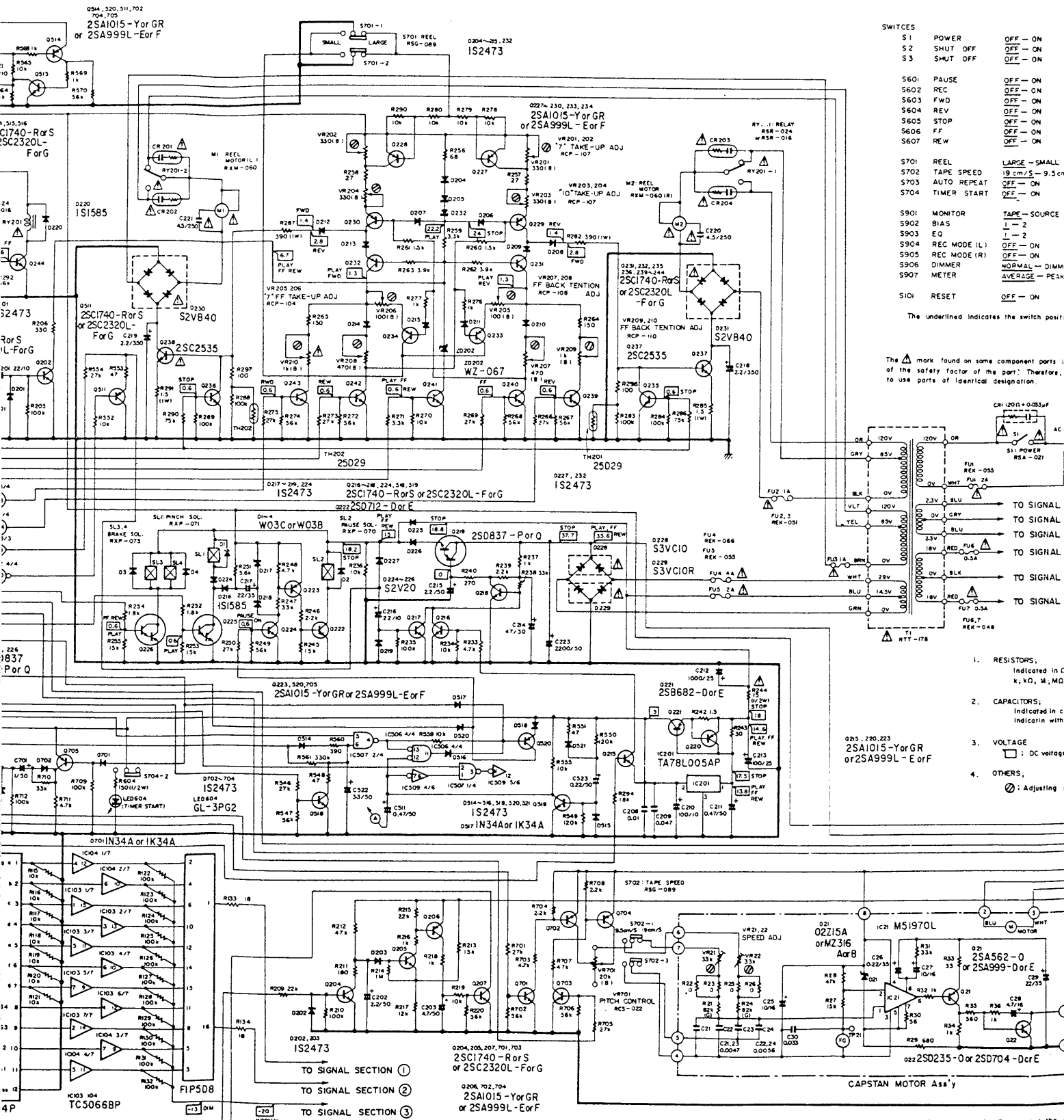
D



● Control Section









7

8

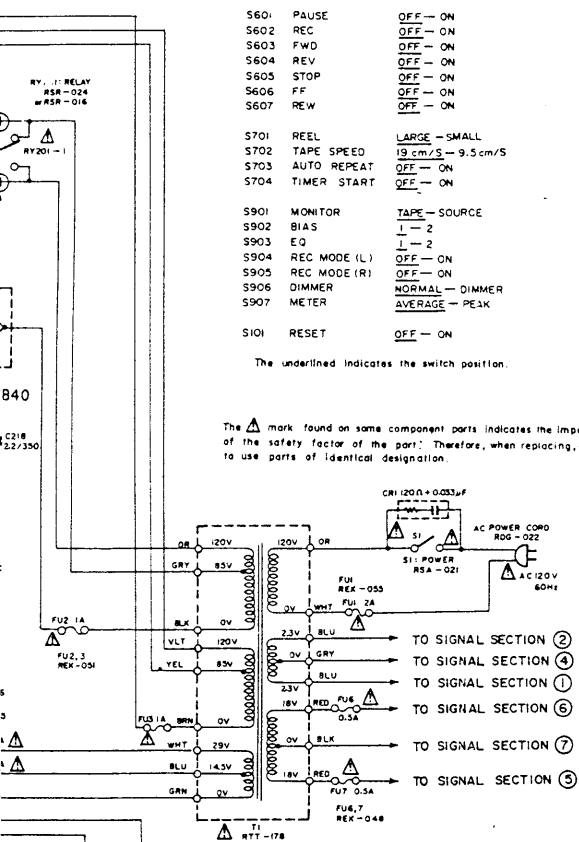
9

SWITCHES

S 1	POWER	OFF - ON
S 2	SHUT OFF	OFF - ON
S 3	SHUT OFF	OFF - ON
S601	PAUSE	OFF - ON
S602	REC	OFF - ON
S603	FWD	OFF - ON
S604	REV	OFF - ON
S605	STOP	OFF - ON
S606	FF	OFF - ON
S607	REW	OFF - ON
S701	REEL	LARGE - SMALL
S702	TAPE SPEED	13 cm/S - 9.5 cm/S
S703	AUTO REPEAT	OFF - ON
S704	TIMER START	OFF - ON
S901	MONITOR	TAPE - SOURCE
S902	BIAS	1 - 2
S903	EQ	1 - 2
S904	REC MODE (L)	OFF - ON
S905	REC MODE (R)	OFF - ON
S906	DIMMER	NORMAL - DIMMER
S907	METER	AVERAGE - PEAK
S101	RESET	OFF - ON

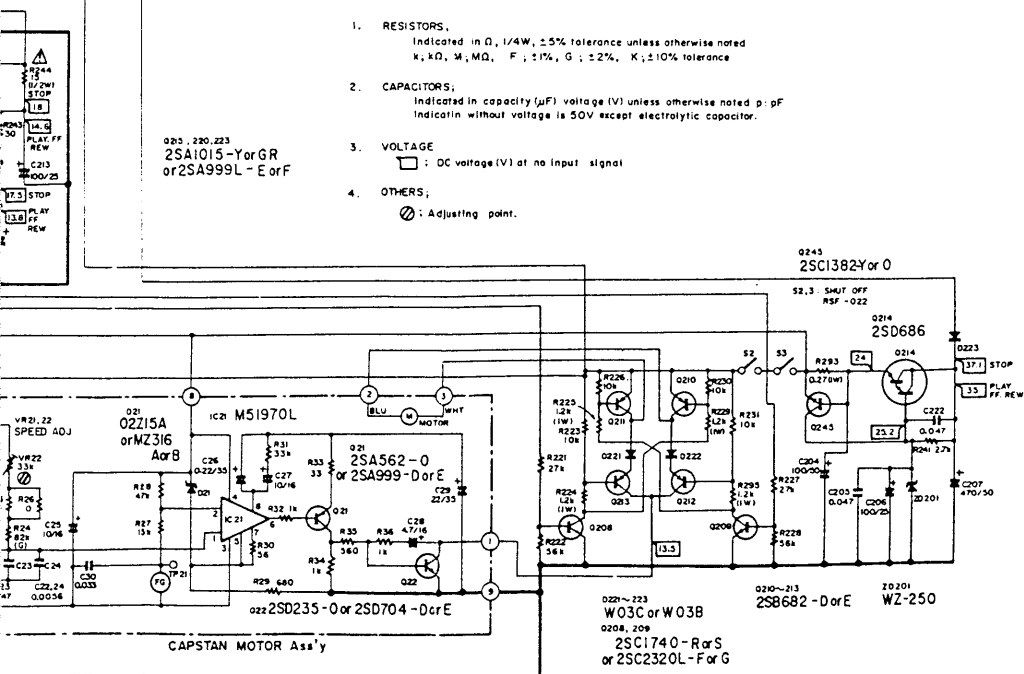
The underlined indicates the switch position.

The  $\Delta$  mark found on some component parts indicates the importance of the safety factor of the part. Therefore, when replacing, be sure to use parts of identical designation.



- RESISTORS, indicated in  $\Omega$ , 1/4W,  $\pm 5\%$  tolerance unless otherwise noted; k, M, MQ, F,  $\pm 1\%$ , G;  $\pm 2\%$ , K;  $\pm 10\%$  tolerance
- CAPACITORS, indicated in capacity ( $\mu F$ ) voltage (V) unless otherwise noted; p, pF indicated without voltage is 50V except electrolytic capacitor.
- VOLTAGE  $\square$ : DC voltage (V) at no input signal
- OTHERS;  $\otimes$ : Adjusting point.

025, 220, 223  
2SA1015 - Y or GR  
or 2SA999L - E or F



This is the basic schematic diagram, but the actual circuit may vary due to improvements in design.

7

8

9

A

B

C

D